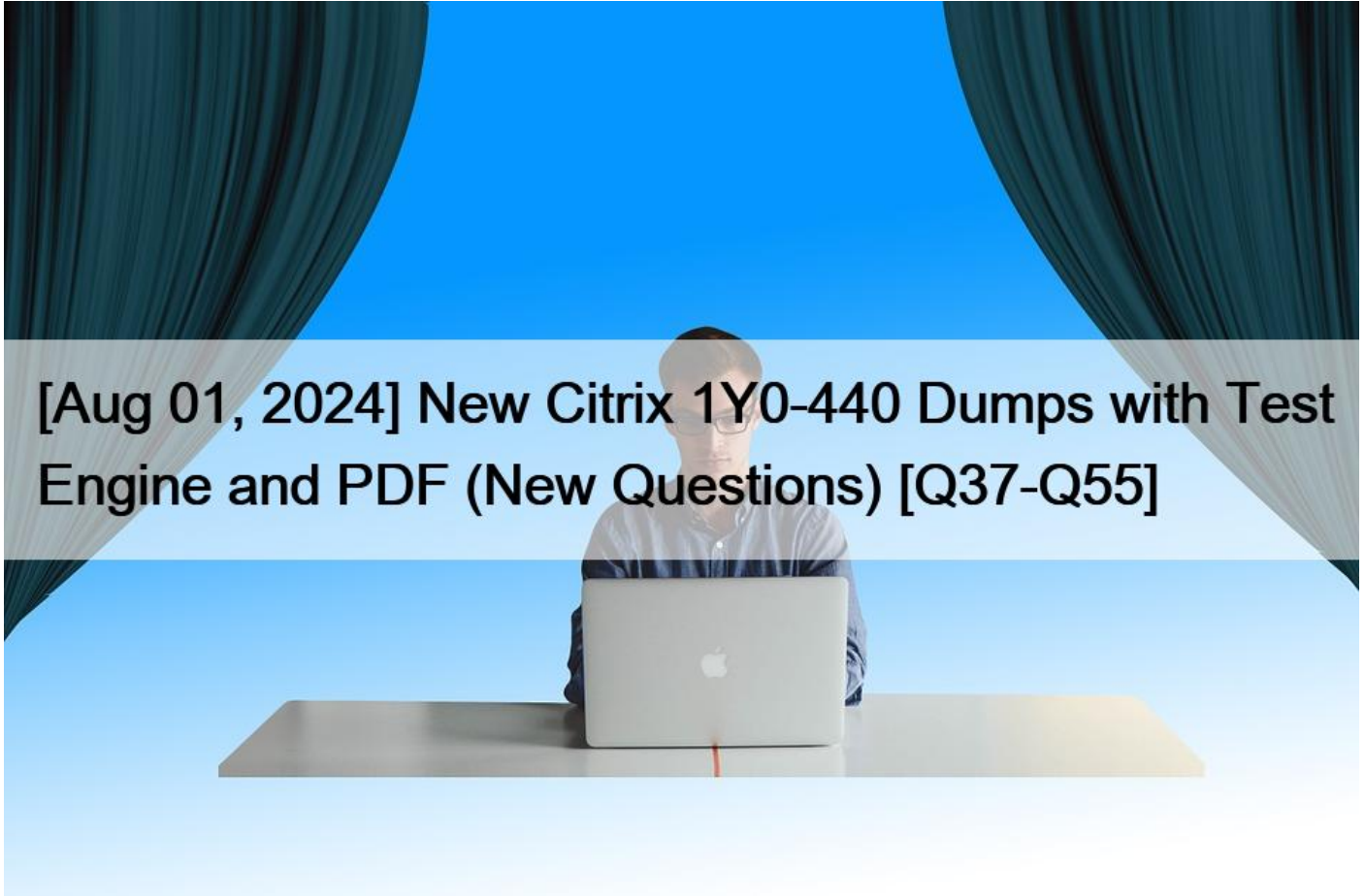


[Aug 01, 2024 New Citrix 1Y0-440 Dumps with Test Engine and PDF (New Questions) [Q37-Q55]



[Aug 01, 2024 New Citrix 1Y0-440 Dumps with Test Engine and PDF (New Questions) Pass Your 1Y0-440 Exam Easily - Real 1Y0-440 Practice Dump Updated QUESTION 37

Scenario: A Citrix Architect needs to assess an existing NetScaler configuration. The customer recently found that certain user groups were receiving access to an internal web server with an authorization configuration that does NOT align with the designed security requirements.

Click the Exhibit button view the configured authorization settings for the web server.

Requirements					
<ul style="list-style-type: none"> By default, no connection should have access to network resources unless authorized based on the other requirements. By default, only connections coming from the internal network (192.168.10.0/24) should be permitted to access the web server. The Accountants group is authorized to access URLs with a ".zip" extension; all other users must NOT be authorized for this. The Executives group is authorized to access the web server from inside OR outside the internal network. 					
Configurations					
Name	Type	Bind Point	Action	Priority	Associated Policy Expressions
Item 1	Authorization Policy	Global	DENY	N/A	N/A
Item 2	Authorization Policy	NetScaler traffic management virtual server	ALLOW	1	Client.IP.SRC.IN_SUBNET (192.168.10.0/24)
Item 3	Authorization Policy	NetScaler traffic management virtual server	DENY	2	HTTP.REQ.URL.SUFFIX.EQ ("zip")
Item 4	Authorization Policy	Accountants Group	ALLOW	1	HTTP.REQ.URL.SUFFIX.EQ ("zip")
Item 5	Authorization Policy	Executives Group	ALLOW	1	Client.IP.SRC.NE (192.168.10.0/24)

Which item should the architect change or remove to align the authorization configuration with the security requirements of the organization?

- * Item 1
- * Item 3
- * Item 4
- * Item 5
- * Item 2

Explanation/Reference:

QUESTION 38

Which parameter indicates the number of current users logged on to the NetScaler gateway?

- * ICA connections
- * Total Connected Users
- * Active user session
- * Maximum User session

QUESTION 39

Scenario: The Workspacelab team has implemented Citrix ADC high availability pair and Citrix ADC Management and Analytics System (Citrix Application Delivery Management). The Citrix Application Delivery Management was configured by a Citrix Architect to monitor and manage these devices. The Workspacelab team wants to load balance their Microsoft SharePoint servers on the Citrix ADC and needs the process to be streamlined and administered using Citrix Application Delivery Management.

The following requirements were discussed during the meeting:

- * The Microsoft SharePoint server should be optimized, load balanced, and secured in the network and
- * should be deployed using Citrix Application Delivery Management.
- * All the configurations should be yenned before getting pushed to the Citrix Application Delivery Management.

Which feature should the architect use to configure the Microsoft SharePoint server using Citrix Application Delivery Management?

- * StyleBooks
- * Orchestration
- * Configuration
- * Jobs Analytics

QUESTION 40

Scenario: A Citrix Architect has met with a team of Workspacelab members for a design discussion. They have captured the following requirements for the Citrix ADC design project:

Multi-factor authentication must be configured for the Citrix Gateway virtual server.

The Citrix Gateway virtual server is integrated with the Citrix Virtual Apps and Desktops environment.

Load balancing must be configured for the StoreFront server.

Authentication must be deployed for the users from the workspacelab.com and vendorlab.com domains.

The logon page must have the workspacelab logo on it.

Certificate verification must be performed to identify and extract the username.

The client certificate must have UserPrincipalName as a subject.

All the managed workstations for the workspacelab users must have the client identification certificate installed on them.

The workspacelab users connecting from the internal network should be authenticated using LDAP.

The workspacelab users connecting from the external network should be authenticated using LDAP and RADIUS.

The vendorlab users should be authenticated using Active Directory Federation Service.

The user credentials must NOT be shared between workspacelab and vendorlab.

Single Sign-on must be performed between StoreFront and Citrix Gateway.

A domain drop down list must be provided if the user connects to the Citrix Gateway virtual server externally.

The domain of the user connecting externally must be identified using the domain selected from the domain drop down list.

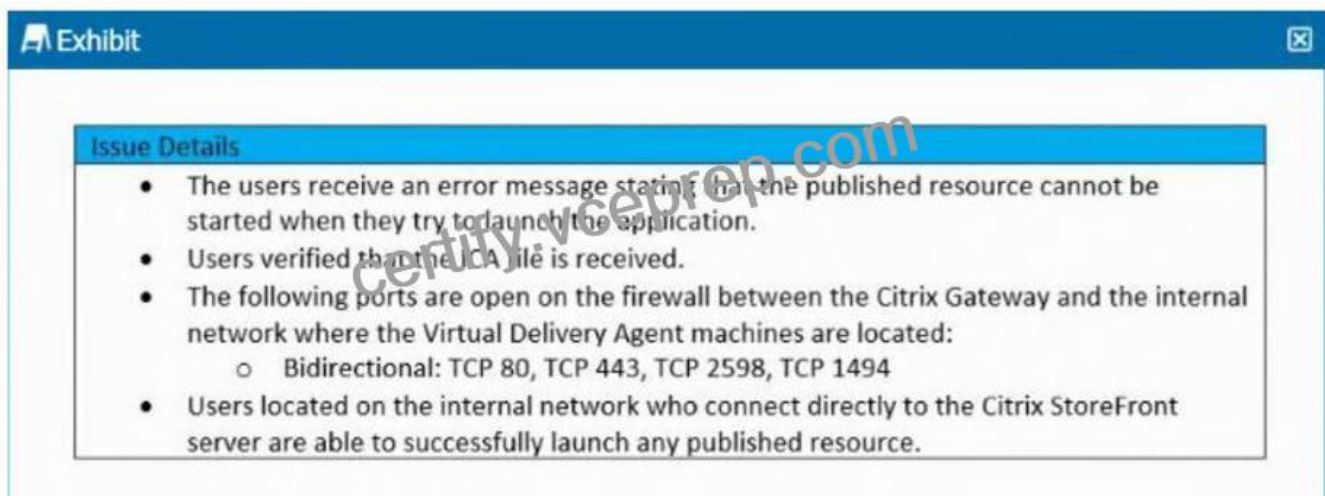
Which authentication policy must the architect execute first to meet the design requirements?

- * SAML
- * Cert
- * RADIUS
- * LDAP UPN

QUESTION 41

Scenario: A Citrix Architect needs to assess a Citrix Gateway deployment that was recently completed by a customer and is currently in pre-production testing. The Citrix Gateway needs to use ICA proxy to provide access to a Citrix Virtual Apps and Citrix Virtual Desktops environment. During the assessment, the customer informs the architect that users are NOT able to launch published resources using the Gateway virtual server.

Click the Exhibit button to view the troubleshooting details collected by the customer.



The screenshot shows a window titled "Exhibit" with a close button in the top right corner. Inside the window, there is a section titled "Issue Details" with a blue header. The content of the "Issue Details" section is as follows:

- The users receive an error message stating that the published resource cannot be started when they try to launch the application.
- Users verified that the ICA file is received.
- The following ports are open on the firewall between the Citrix Gateway and the internal network where the Virtual Delivery Agent machines are located:
 - Bidirectional: TCP 80, TCP 443, TCP 2598, TCP 1494
- Users located on the internal network who connect directly to the Citrix StoreFront server are able to successfully launch any published resource.

What is the cause of this issue?

- * There are NO backend Virtual Delivery Agent machines available to host the selected published resource.
- * The Secure Ticket Authority servers have NOT been configured in the Citrix Gateway settings.
- * The required ports have NOT been opened on the external firewall.
- * The StoreFront URL configured In the Citrix Gateway session profile is NOT correct.

QUESTION 42

Scenario: A Citrix Architect needs to assess an existing on-premises NetScaler deployment which includes Advanced Endpoint Analysis scans. During a previous security audit, the team discovered that certain endpoint devices were able to perform unauthorized actions despite NOT meeting pre-established criteria.

The issue was isolated to several endpoint analysis (EPA) scan settings.

Click the Exhibit button to view the endpoint security requirements and configured EPA policy settings.

Requirements
<ul style="list-style-type: none">• Endpoints should be scanned to determine whether they are connecting from within the company intranet (192.168.10.0/24) and belong to the company Windows domain (workspacelab.com).<ul style="list-style-type: none">- Endpoints meeting both of these criteria are permitted to continue to the authentication page.- Endpoints NOT meeting one or more of these criteria should NOT be permitted to authenticate.• All endpoints should also be scanned to confirm that an approved antiVirus client ("Antivirus") is running.<ul style="list-style-type: none">- Endpoints that have an antivirus client running can access intranet resources.- Endpoints that do NOT have an antivirus client running should be added to quarantine group that can only access the XenApp and XenDesktop environment.
Configurations

Which setting is preventing the security requirements of the organization from being met?

- * Item 6
- * Item 7
- * Item 1
- * Item 3
- * Item 5
- * Item 2
- * Item 4

QUESTION 43

Scenario: A Citrix Architect is asked by management at the Workspacelab organization to review their existing configuration and make the necessary upgrades. The architect recommends small changes to the pre-existing Citrix ADC configuration. Currently, the Citrix ADC MPX devices are configured in a high availability pair, and the outbound traffic is load balanced between two Internet service providers (ISPs). However, the failover is NOT happening correctly. The following requirements were discussed during the design requirement phase:

- * The return traffic for a specific flow should be routed through the same path while using Link Load Balancing.
- * The link should fail over even if the ISP router is up and intermediary devices to an ISP router are down.
- * Traffic going through one ISP router should fail over to the secondary ISP, and the traffic should NOT flow through both routers simultaneously. What should the architect configure to meet this requirement?
 - * Transparent monitor
 - * Ping Monitor
 - * HTTP-ECV monitor with secure option enabled
 - * HTTP-ECV monitor without secure option enabled

QUESTION 44

Scenario: A Citrix Architect needs to assess an existing on-premises NetScaler deployment which includes Advanced Endpoint Analysis scans. During a previous security audit, the team discovered that certain endpoint devices were able to perform unauthorized actions despite NOT meeting pre-established criteria.

The issue was isolated to several endpoint analysis (EPA) scan settings.

Click the Exhibit button to view the endpoint security requirements and configured EPA policy settings.

Requirements					
<ul style="list-style-type: none"> Endpoints connecting from outside the company intranet (192.168.10.0 /24) should be directed to an endpoint analysis <ul style="list-style-type: none"> Scan should verify that endpoints have an approved antivirus agent (Antivirus version 14.0 or Antivirus2 version the file "secure.xml" is present. If both criteria are met, the endpoints should receive corporate VPN access. If one or more criteria are NOT met, endpoints should receive Secure ICA access. 					
Configurations					
Name	Type	Bind Point	Action	Priority	Associa
Item 1	Session policy	NetScaler Gateway VPN virtual server	N/A	10	REQ.IP.SO -netmask
Item 2	Session profile	Item 1	Security: <ul style="list-style-type: none"> Default Authorization Action: DENY Security - Advanced Settings: <ul style="list-style-type: none"> Client Security Check String: CLIENT.APPLICATION.AV (Antivirus.exe).VERSION == 14 (CLIENT.APPLICATION.AV(Antivirus2.exe).VERSION == 12 && CLIENT.FILE(secure.xml) EXISTS) Quarantine Group: quarantine Published Applications: <ul style="list-style-type: none"> ICA Proxy: OFF 	N/A	N/A
Item 3	Session policy	AAA Group: quarantine	N/A	20	ns_true
Item 4	Session profile	Item 3	Security: <ul style="list-style-type: none"> Default Authorization Action: DENY Published Applications: <ul style="list-style-type: none"> ICA Proxy: On 	N/A	N/A

Which setting is preventing the security requirements of the organization from being met?

- * Item 3
- * Item 4
- * Item 2
- * Item 6

QUESTION 45

Which two parameters are required to ensure that after authentication, the cookies can be transferred from browser to non-browser applications? (Choose two.)

- * Cookie should be Persistent cookie
- * Cookie type should be HttpOnly
- * Cookie type should NOT be HttpOnly

* Cookie type should have Secure Flag enabled

QUESTION 46

Scenario: A Citrix Architect needs to design a new multi-datacenter Citrix ADC deployment. The customer wants Citrix ADC to provide access to various backend resources by using Global Server Load Balancing (GSLB) in an Active-Active deployment. Click the Exhibit button to view additional requirements identified by the architect.

GSLB Requirements
<ul style="list-style-type: none">• Users should be directed to the nearest available datacenter based on their geographic location when they initiate a connection to a backend resource.• The network locations that are considered the closest to each of the datacenters will be predetermined a third-party vendor.• The NetScaler designated as the ADNS server should use the configured proximity data to make load balancing decisions.

Which GSLB algorithm or method should the architect use for the deployment based on the stated requirements?

- * Dynamic round trip time (RTT)
- * Least response time
- * Least packets
- * Source IP hash
- * Static proximity
- * Least connections

QUESTION 47

Scenario: A Citrix Architect needs to assess a NetScaler Gateway deployment that was recently completed by a customer and is currently in pre-production testing. The NetScaler Gateway needs to use ICA proxy to provide access to a XenApp and XenDesktop environment. During the assessment, the customer informs the architect that users are NOT able to launch published resources using the Gateway virtual server.

Click the Exhibit button to view the troubleshooting details collected by the customer.

Issue Details
<ul style="list-style-type: none">• External users trying to launch a Shared Hosted Desktop via a NetScaler gateway connection receive an ICA file from StoreFront.• However, they are unable to launch the Shared Hosted Desktop.• The following ports are open on the firewall between the NetScaler gateway and the internal network where the Virtual Delivery Agent machines are located: Bidirectional: TCP 80, TCP 443, TCP 2598, TCP 1494• Users located on the internal network who connect directly to the StoreFront server are able to launch the Shared Hosted Desktop.

What is the cause of this issue?

- * The required ports have NOT been opened on the firewall between the NetScaler gateway and the Virtual Delivery Agent (VDA) machines.
- * The StoreFront URL configured in the NetScaler gateway session profile is incorrect.

- * The Citrix License Server is NOT reachable.
- * The Secure Ticket Authority (STA) servers are load balanced on the NetScaler.

QUESTION 48

Scenario: A Citrix Architect needs to design a new multi-datacenter NetScaler deployment. The customer wants NetScaler to provide access to various backend resources by using Global Server Load Balancing (GSLB) in an Active-Active deployment.

Click the Exhibit button to view additional requirements identified by the architect.

GSLB Requirements
<ul style="list-style-type: none">• Users should be directed to the nearest available datacenter when they initiate a connection to a backend resource.• The nearest datacenter should be determined by the least Time to First Byte (TTFB) among all the available services, as evidenced by response code 200.• Services with fewer active connections should also be prioritized.

Which GSLB algorithm or method should the architect use for the deployment, based on the stated requirements?

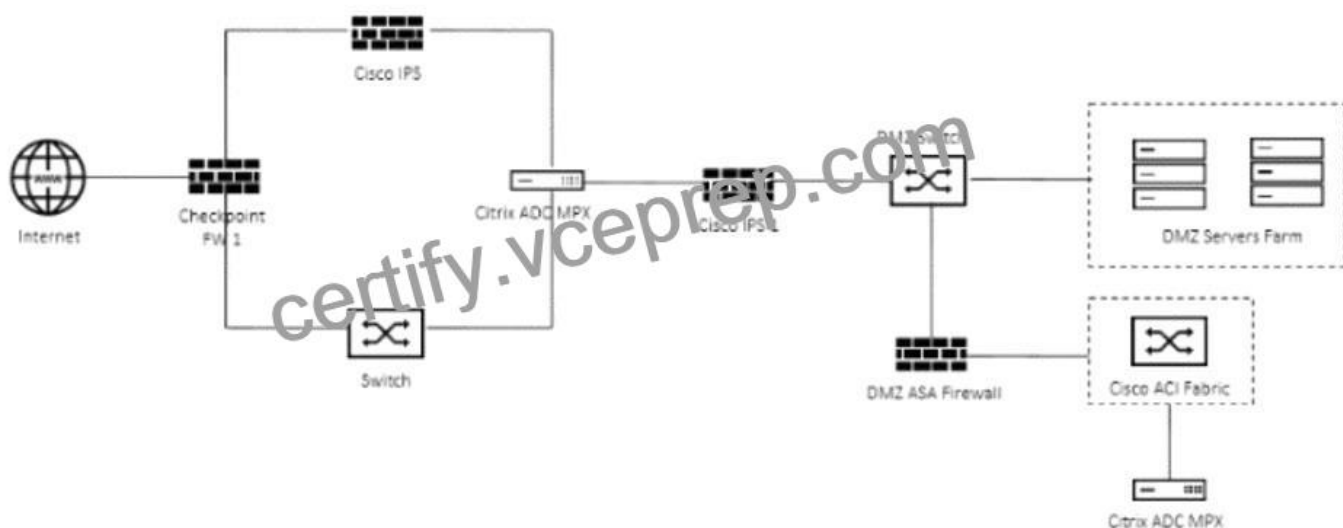
- * Dynamic round trip time (RTT)
- * Least response time
- * Static proximity
- * least connection
- * Least packets
- * Source IP hash

QUESTION 49

Scenario: A Citrix Architect and a team of Workspacelab members met to discuss a Citrix ADC design project. They captured the following requirements from this design discussion:

- * All three (3) Workspacelab sites (DC, NDR, and DR) will have similar Citrix ADC configurations and design.
- * The external Citrix ADC MPX appliances will have Global Server Load Balancing (GSLB) configured and deployed in Active/Active mode
- * ADNS service should be configured on the Citrix ADC to make it authoritative for domain nsg Workspacelab.com.
- * In GSLB deployment, the DNS resolution should be performed to connect the user to the site with least network latency.
- * On the internal Citrix ADC, load balancing for StoreFront services, Citrix XML services, and Citrix Director services must be configured
- * On the external Citrix ADC, the Gateway virtual server must be configured in ICA proxy mode Click the Exhibit button to view the logical representation of the network and the firewall policy prerequisites provided by the architect. On which two firewalls should the architect configure the policies? (Choose two.)

Sr#	Port	Source	Destination	Notes
1.	TCP 443	NetScaler SNIP	SF1_IP SF2_IP SF3_IP	StoreFront
2.	TCP 443	NetScaler SNIP	XDC1_IP XDC2_IP XDC3_IP	STA (Delivery Controller)
3.	TCP 1494 TCP 2598	NetScaler SNIP	VDA and Controllers subnets	ICA traffic
4.	TCP 443 TCP 80	Internet	NetScaler Gateway VIP	External access - Port 80 will redirect the user to 443



- * CISCO IPS
- * CISCO IPS 1
- * DMZ ASA Firewall
- * Checkpoint FW1

QUESTION 50

Scenario: The Workspacelab team has configured their NetScaler Management and Analytics (NMAS) environment. A Citrix Architect needs to log on to the NMAS to check the settings.

Which two authentication methods are supported to meet this requirement? (Choose two.)

- * Certificate
- * RADIUS
- * TACACS
- * Director

- * SAML
- * AAA

Explanation/Reference: <https://docs.citrix.com/en-us/netScaler-mas/12/authentication-and-rbac/configuring.html>

QUESTION 51

Which three tasks can a Citrix Architect select and schedule using the Citrix ADC maintenance tasks?

(Choose three.)

- * Convert Citrix Web App Firewall Policy Instances.
- * Upgrade Citrix ADC CPX Instances
- * Upgrade Citrix ADC Instances.
- * Convert a high availability pair of Instances to Cluster.
- * Convert cluster instances to a high availability pair.
- * Configure a high availability pair of Citrix ADC Instances.

QUESTION 52

Scenario: A Citrix Architect needs to assess a Citrix Gateway deployment that was recently completed by a customer and is currently in pre-production testing. The Citrix Gateway needs to use ICA proxy to provide access to a Citrix Virtual Apps and Citrix Virtual Desktops environment. During the assessment, the customer informs the architect that users are NOT able to launch published resources using the Gateway virtual server.

Click the Exhibit button to view the troubleshooting details collected by the customer.

Exhibit

Issue Details

- The users receive an error message stating that the published resource cannot be started when they try to launch the application.
- Users verified that the ICA file is received.
- The following ports are open on the firewall between the Citrix Gateway and the internal network where the Virtual Delivery Agent machines are located:
 - Bidirectional: TCP 80, TCP 443, TCP 2598, TCP 1494
- Users located on the internal network who connect directly to the Citrix StoreFront server are able to successfully launch any published resource.

What is the cause of this issue?

- * There are NO backend Virtual Delivery Agent machines available to host the selected published resource.
- * The Secure Ticket Authority servers have NOT been configured in the Citrix Gateway settings.
- * The required ports have NOT been opened on the external firewall.
- * The StoreFront URL configured In the Citrix Gateway session profile is NOT correct.

QUESTION 53

Scenario: A Citrix Architect has deployed Citrix Gateway integration with the StoreFront server. The Vasco server is used to perform WebAUTH to authenticate users. The configuration snippet is as follows:

```
add policy expression Exp1 "\"myusername=\" + http.REQ.BODY(3000).SET_TEXT_MODE(IGNORECASE).AFTER_STR(
\"&mypassword=\" + http.REQ.BODY(3000).SET_TEXT_MODE(IGNORECASE).AFTER_STR(\"*passwd=*\")
add policy expression Exp2 "\"myusername=\" + http.REQ.BODY(1000).SET_TEXT_MODE(IGNORECASE).AFTER_STR(
\"&mypassword=\" + http.REQ.BODY(1000).SET_TEXT_MODE(IGNORECASE).AFTER_STR(\"-passwd=*\").length\"
add authentication webAuthAction webAuth_action -serverIP 10.102.39.132 -serverPort 443 -fullReqExpr q{\"POST /cus
http.req.version.major + \".\" + http.req.version.minor + \"
Acct: */*
Host: 10.102.39.132
User-Agent: Mozilla/5.0 (compatible; MSIE 9.0; Windows NT 6.1; Trident/5.0)
Content-Type: application/x-www-form-urlencoded
\" + \"Content-Length: \" + Exp2 + \"
Connection: Keep-Alive

\" + Exp1) -scheme https -successRule \"http.RES.STATUS.EQ(200)\"
add authentication policy webAuth_policy -rule TRUE -action webAuth_action
```

Which parameter is utilized to calculate the content-length insert in the request sent to the server?

- * successRule
- * Exp1
- * POST expresston
- * Exp2

QUESTION 54

Scenario: A Citrix Architect needs to design a new multi-datacenter Citrix ADC deployment. The customer wants Citrix ADC to provide access the various backend resources by using Global Server Load Balancing (GSLB) in an Active-Active deployment.

Click the Exhibit button to view additional requirements identified by the architect.

GSLB Requirements
<ul style="list-style-type: none">• Users should be directed to the nearest available datacenter when they initiate a connection to a backend resource.• The nearest datacenter should be determined through multiple metrics, including ICMP echo request / reply, DNS UDP probe, and DNS TCP probe. If one or more services do NOT reply to one metric, another should be used automatically.• Error responses should be considered as valid for the purposes of determining service proximity.• The Citrix ADC designated as the ADNS server will use the information collected by all available services to determine the nearest resource location.

Which GSLB algorithm or method should the architect use for the deployment based on the stated requirements?

- * Source IP hash

- * Least response time
- * Least connections
- * Least packets
- * Static proximity
- * Dynamic round trip time (RTT)

QUESTION 55

Which step does a Citrix Architect need to ensure during the Define phase when following the Citrix Methodology?

- * Testing steps were integrated.
- * The project manager agrees with road map timelines.
- * A phased roll out was completed.
- * Existing networking infrastructure is ready.
- * The redundancy deployment decision was made.

Citrix 1Y0-440 exam is intended for professionals who have experience with Citrix technologies and want to advance their careers in networking. It is also suitable for IT architects, engineers, consultants, and administrators who want to gain expertise in designing and deploying Citrix Networking solutions. 1Y0-440 exam consists of multiple-choice questions and simulations that test your understanding of networking concepts and your ability to apply them in real-world scenarios.

Citrix 1Y0-440 exam consists of 64 multiple-choice questions that must be answered within 105 minutes. 1Y0-440 exam is available in English and Japanese and can be taken online or at a Pearson VUE testing center. 1Y0-440 exam covers a wide range of topics, including network architecture, security, load balancing, traffic management, and optimization. Candidates must have a deep understanding of Citrix ADC, Citrix Gateway, Citrix SD-WAN, and Citrix Application Delivery Management to pass the 1Y0-440 exam.

VCEPrep just published the Citrix 1Y0-440 exam dumps!: <https://www.vceprep.com/1Y0-440-latest-vce-prep.html>